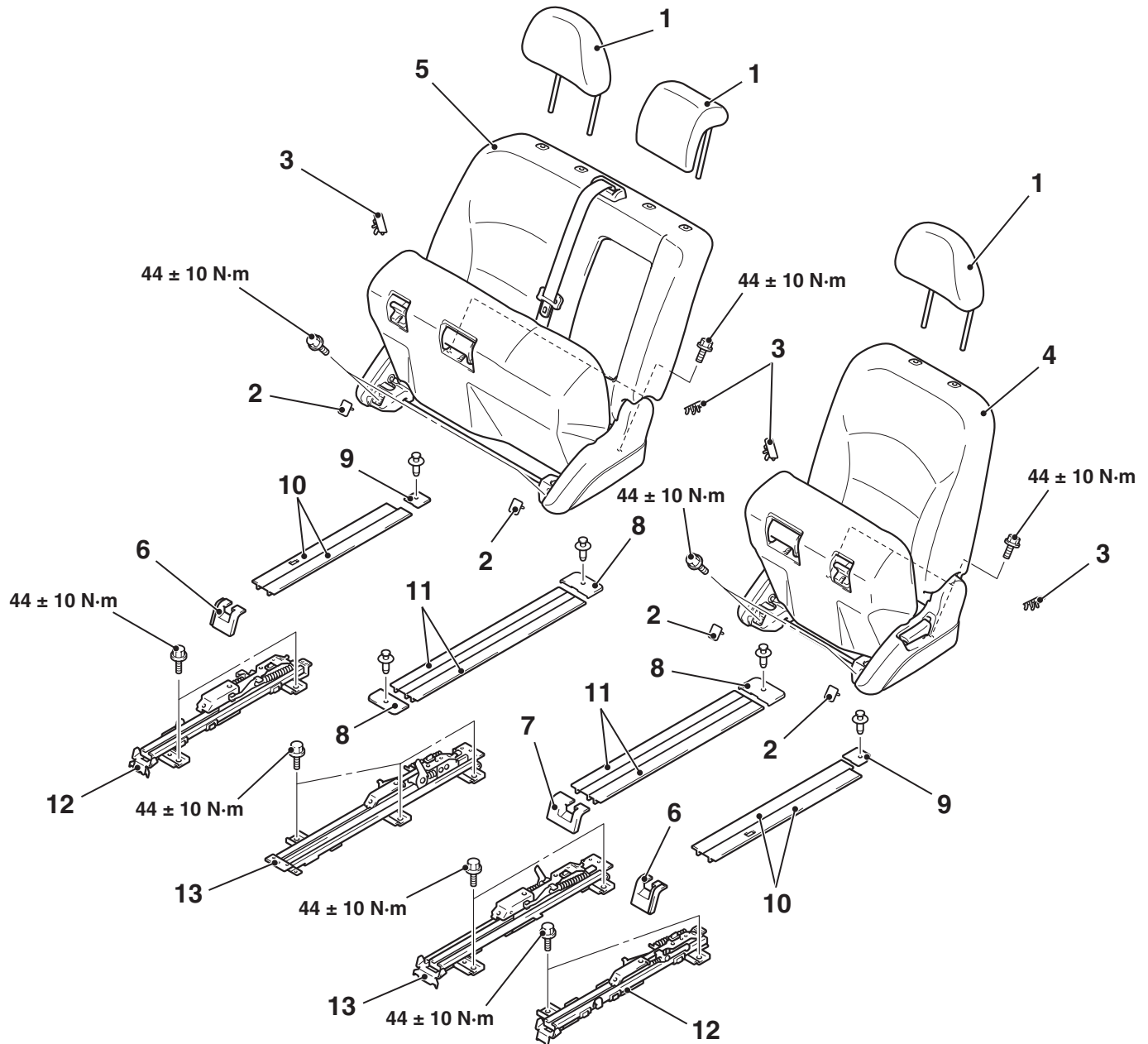


SECOND SEAT ASSEMBLY**REMOVAL AND INSTALLATION**

M1522002300024



AC311806AB

1. Head rest
- Removal steps**
2. Shield inner cover cap front
 3. Shield inner cover cap rear
 4. Second seat assembly (LH)
 5. Second seat assembly (RH)
 - Scuff plate rear (Refer to [P.52A-10](#)).
 6. Seat anchor cover outer

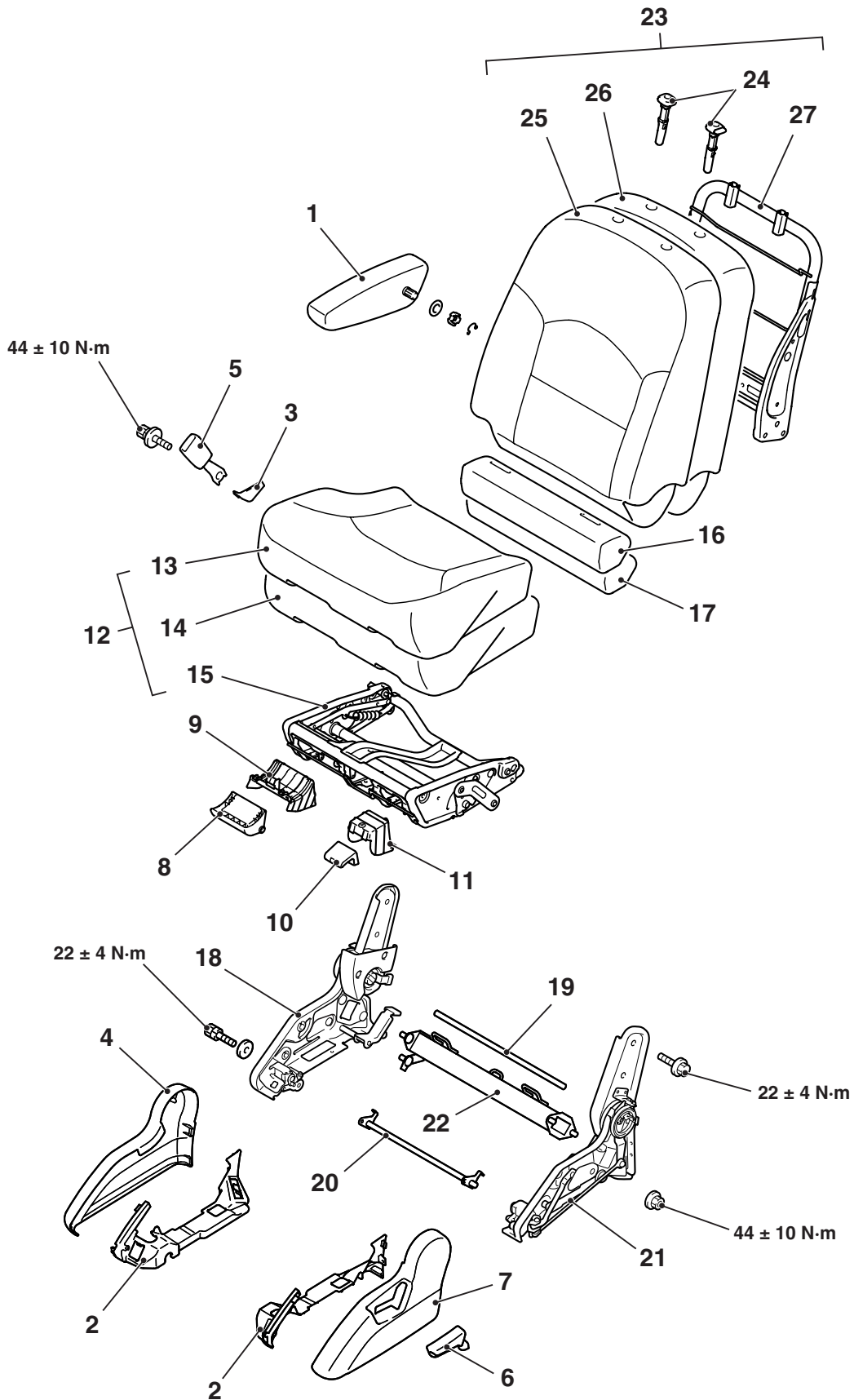
Removal steps (Continued)

7. Seat anchor cover inner
8. Slide adjuster end cover inner
9. Slide adjuster end cover outer
10. Rail cover outer
11. Rail cover inner
12. Slide adjuster outer
13. Slide adjuster inner

DISASSEMBLY AND REASSEMBLY

M1522002500028

<SEPARATE SEAT>



Disassembly steps

1. Armrest assembly
2. Shield cover inner
3. Inner seat belt cap
4. Shield cover
5. Inner seat belt
6. Reclining adjuster lever
7. Reclining adjuster cover
8. Slide lever
9. Slide lever garnish
10. Tip up lever
11. Tip up lever garnish
12. Seat cushion assembly
13. Seat cushion cover
14. Seat cushion pad

<<A>>

Disassembly steps (Continued)

15. Seat cushion frame
16. Sub seat cushion cover
17. Sub seat cushion pad
18. Frame base assembly inner
19. Shaft
20. Shaft
21. Frame base assembly outer
22. Pipe assembly
23. Seatback assembly
24. Headrest guide
25. Seatback cover
26. Seatback pad
27. Seatback frame